



SPECIFICATIONS SHEET

Hanger Bar

Assembly Part #: 00-00-240

Supports the installation of wall and ceiling boots.
Adjustable design allows installation within framed wall cavities, ceiling cavities, and bulkheads with o.c. spacing between 12" and 24".

SPECIFICATIONS

Hanger Bar Assembly is available in one size.

Intended Use

Used with all boot installations where required. Compatible with these assemblies:

- 10-01-200: High Sidewall Boot Assembly
- 10-01-210: Pass Through Boot Assembly
- 10-01-220: Ceiling Boot Assembly

Attach to wood framing using 5/8" pan head wood screws. Attach to steel framing using recommended sheet metal screws.

Material

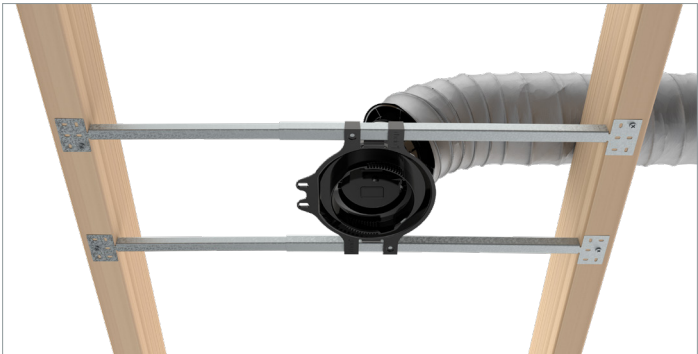
Galvanized Steel
Color: Natural.
100% recyclable.

Installation

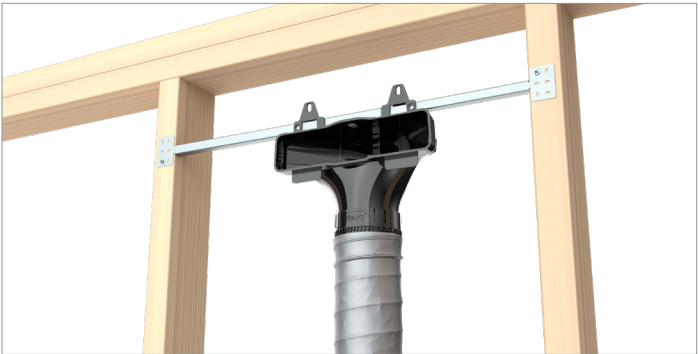
Follow Rheia's Installation Guidelines for detailed installation procedures and practices.

Warranty

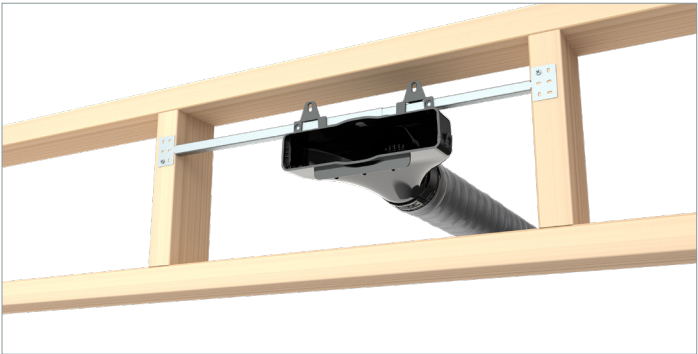
2-year limited warranty.
For warranty information go to www.rheiacomfort.com/contact.



Ceiling Diffuser installed



High Sidewall Boot installed



Pass Through Boot installed



Hanger Bar Assembly

DIMENSIONS

Part Dimensions:
Length: 15.4" (392 mm)
Maximum Extension: 26.5" (673.1 mm)
Width: 9.9" (13.6 mm)
Height: 3.4" (44.4 mm)
Part Weight: 0.36 lbs.