

3" and 4" Ferrules

Part #s: 10-01-010 and 20-01-010

Two sizes of Ferrule connect 3" or 4" duct to other components of the Rheia system. Each component is designed to be interchangeable and connect with other components. Ferrule to duct connections create a seal which is sufficiently air tight to not require additional sealing with tape or mastic.

3-inch Ferrule: 10-01-010

4-inch Ferrule: 20-01-010

SPECIFICATIONS

Rheia Ferrule's are part of the Rheia snap-fit system used to connect and seal all components together, which is sufficiently air tight to not require additional sealing with tape or mastic. A fully assembled system complies with air leakage industry standards.

Intended Use

For use with 3" or 4" duct. The threaded Ferrule connects duct to other components of the Rheia system.

Material

Flame retardant Polycarbonate / ABS blend.

Color: Black.

100% recyclable.

Installation

Follow Rheia's Installation Guidelines for detailed installation procedures and practices.

Listings

UL 181C: Outline of Investigation for Non-Metal Joining Accessories for Flexible Air Ducts and Air Connectors (MH64419)

UL2043: Standard for Fire Test for Heat and Visible Smoke Release for Discrete Products and Their Accessories Installed in Air-Handling Spaces

Manufactured with UL94 V-0 rated engineering thermoplastic.

Warranty

2-year limited warranty.

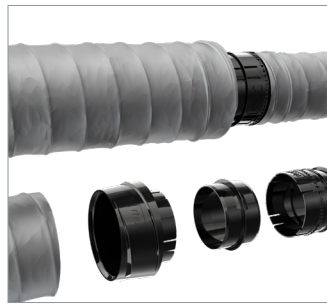
For warranty information go to www.rheiacomfort.com/contact.



3" Ferrule and 3" duct



4" Ferrule and 4" duct



4" to 3" duct connection



3" to 3" duct connection



3" Ferrule



4" Ferrule

DIMENSIONS

Part Dimensions:

Part #: 10-01-010

Diameter: 3.4" (87.0mm)

Height: 3.2" (80.0 mm)

Part Weight: 0.14 lbs.

Part Dimensions:

Part #: 20-01-011

Diameter: 4.3" (109.2 mm)

Height: 2.7" (68.5 mm)

Part Weight: 0.19 lbs.