

High Sidewall Boot 4x10 Assembly

Assembly Part # 10-01-200

For new construction wall installations only. Attaches to framing using the Rheia Hanger Bar Assembly (00-00-240), or via support blocking. Includes an adjustable damper blade. Must be used with Rheia-approved Slotted Wall Diffusers (10-04-090 or 10-04-091).

SPECIFICATIONS

For installation in 2x4 or larger wall framing or steel stud framing.

Intened Use

Stud spacing: Max. 24" o.c. Min. 16" o.c. (when using Hanger Bar)
For optimum performance locate the center of the boot between 4 1/2" and 10" from the upper edge of the wall top plate.

Material

High Sidewall Boot: Flame-retardant Polycarbonate /ABS blend.
Damper Blade: Flame-retardant Polycarbonate /ABS blend.
Damper Strap: Polypropylene.
100% recyclable.

Installation

Follow Rheia's Installation Guidelines for detailed installation procedures and practices.

When using the Rheia Hanger Bar, once the boot is correctly positioned, fasten the boot to the Hanger Bar using a sheet metal screw with a minimum length of 3/8".

When mounting the High Sidewall boot directly to framing, use two pan-head wood screws with a minimum length of 5/8".

Do not install in ceiling applications.

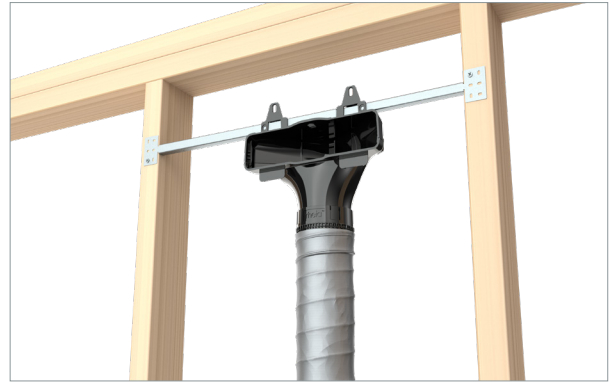
Listings

Manufactured with UL94 V-0 rated engineering thermoplastic.

Warranty

2-year limited warranty.

For warranty information go to www.rheiacomfort.com/contact.



High Sidewall Boot Assembly installed with Hanger Bar



High Sidewall Boot Assembly installed directly to framing



Pass Through Boot Assembly with Damper

DIMENSIONS

Assembly Dimensions (with damper closed)

Length 6.2" (157.5 mm)

Width 8.9" (225.3 mm)

Height 7.2" (182.2 mm)

Assembly Weight: 0.47 lbs.